



**ZERO POINT
CRYOGENICS**

Continuous Cold Series

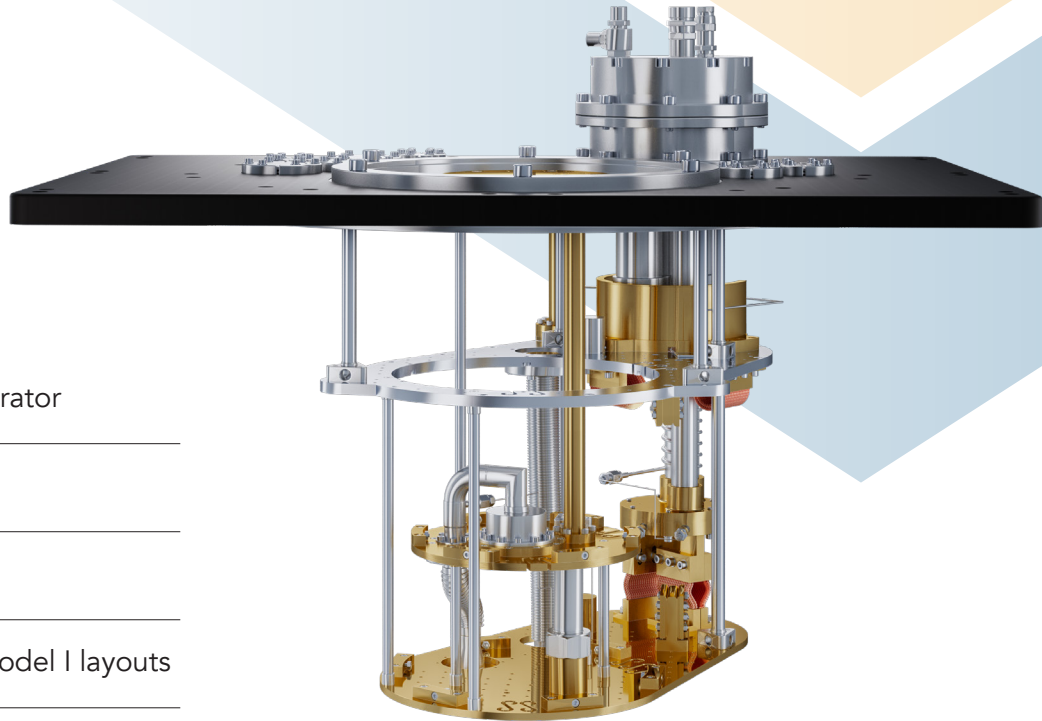
THE WORKHORSE

- › Upgradeable to a dilution refrigerator

- › 8-10 hours to base temperature

- › High cooling power

- › Available in both Model L and Model I layouts



TECHNICAL SPECS

MODEL L LAYOUT

MODEL I LAYOUT

	1.4 K (100 mW at 1.7 K)	
Base temperature and Cooling power	0.9 K (100 mW at 1.7 K)	
	500 mK (1 mW at 600 mK)	
Compact footprint	1.80 m²	1.34 m²
Cooldown time	8-10 hours	8-10 hours
Sample size	340 mm diameter 245 mm vertical space	150 mm diameter 195 mm vertical space

EXTENDED LIFE COLD TRAP

SOFTWARE

- › One-button cool down
 - › Touchscreen display
 - › Remote operation
-

ALL METAL SEALS & NO SOLDERED CONNECTIONS

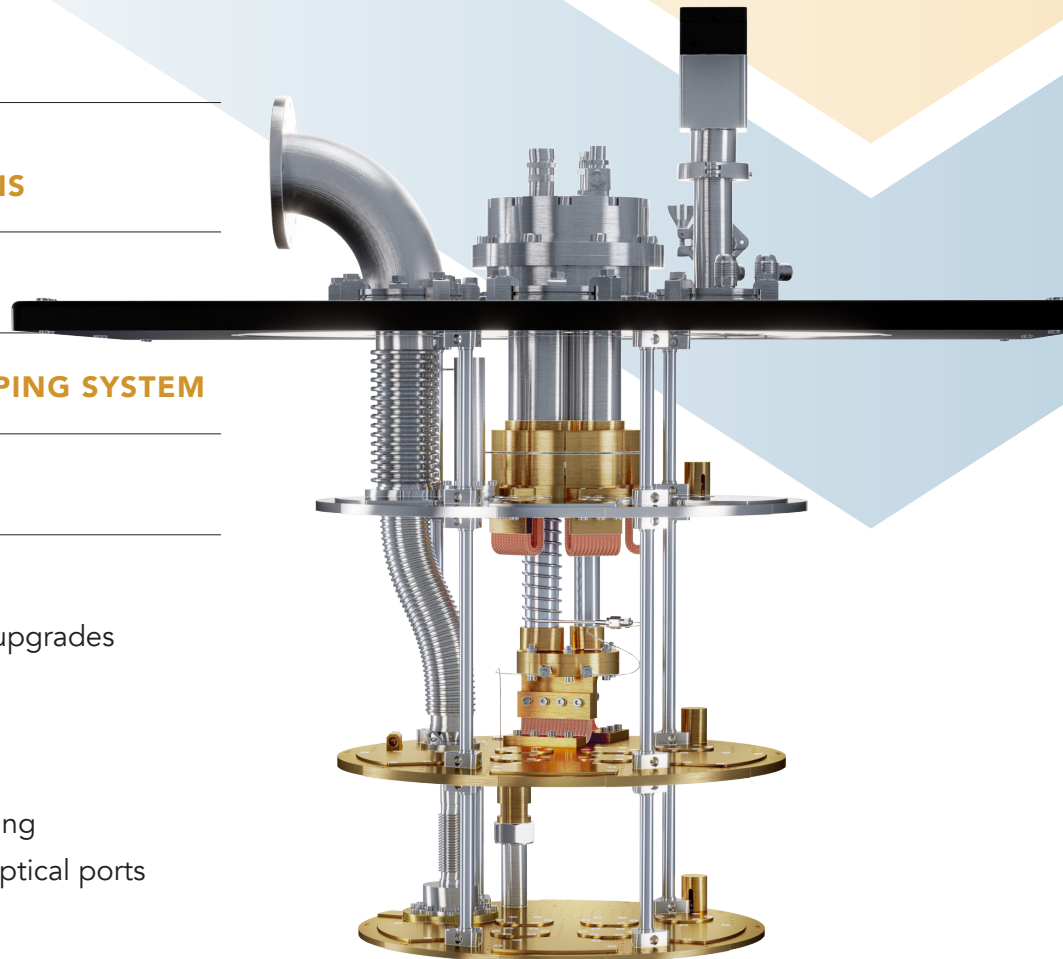
GALVANIC ISOLATION

DEDICATED AUXILIARY PUMPING SYSTEM

48 MONTH WARRANTY

ADD-ON FEATURES

- › Cooling power and pulse tube upgrades
- › Enhanced vibration isolation
- › Fiber-optics
- › DC wiring
- › RF cabling and high-density wiring
- › Free space optical access and optical ports
- › Superconducting magnets
- › Nickel-free gold plating
- › Customized experiment space



› WHY ZERO POINT CRYOGENICS?

Zero Point Cryogenics (ZPC) is a North American manufacturer specializing in hand-crafted dilution refrigerators and cryogenic equipment. ZPC's easy-to-use and compact solutions satisfy space, size, and operation requirements for industry, government and academia. We have a broad spectrum of in-house expertise, ensuring quality in every step of the manufacturing process. At ZPC, we continue to strenuously push innovation in cryogenics today to unlock the full potential of quantum technologies in the future. Our series of cryostats and dilution refrigerators are backed by an extended warranty on every component manufactured by ZPC for added peace of mind. We help our customers focus on developing their quantum technologies, instead of operating their fridges.